

Pallet Forks Hydraulically Shifting and Tines with Continuous Spindle Adjustment

The efficient pallet fork with a hydraulically compensating centre of gravity can easily be adapted to different loads with adjustable plunge depth and adjustable tine spread.

- **Efficient handling** of many different kinds of loads in an economic, one-man operation is possible due to the hydraulic shifting. It saves time and money
- **Precise positioning** of the loads is no problem in combination with the rotator – continuous rotation, precise start and braking ability
- **Versatile height** from 1000 mm to 1600 mm adjustable in three steps with a lock pin
- **Versatile width** of tines from approx. 475 mm to 815 mm adjustable with a smooth running, stainless spindle
- **Easy to use** due to the dimensions of the pallet fork. As no part of the pallet fork is wider than a standard pallet, a second row can be loaded. In addition, the outer edge of the pallet fork tines meets the overall width of the fork and loads close to walls can be handled without problems



Pallet forks PZP-H

Type	Load capacity (kg)	Throat height A (mm)	Tine length (mm)	Tine spread Z (mm)	Tine dimensions* (mm)	Centre of gravity (mm)	Self weight (w/o rotator) (kg)
PZP150H	1500	1000 – 1600	980	475 – 815	80 x 35	500	120
PZP200H	2000	1000 – 1600	980	495 – 835	100 x 35	500	135
PZP250H	2500	1000 – 1600	980	490 – 830	100 x 50	500	160
PZP150HL	1500	1000 – 1600	1150	495 – 835	100 x 35	600	155
PZP200HL	2000	1000 – 1600	1150	500 – 840	100 x 50	600	170
PZP250HL	2500	1000 – 1600	1150	510 – 850	120 x 50	600	235

*) width x height

Package consists of: pallet fork, protection chain PZP-SK

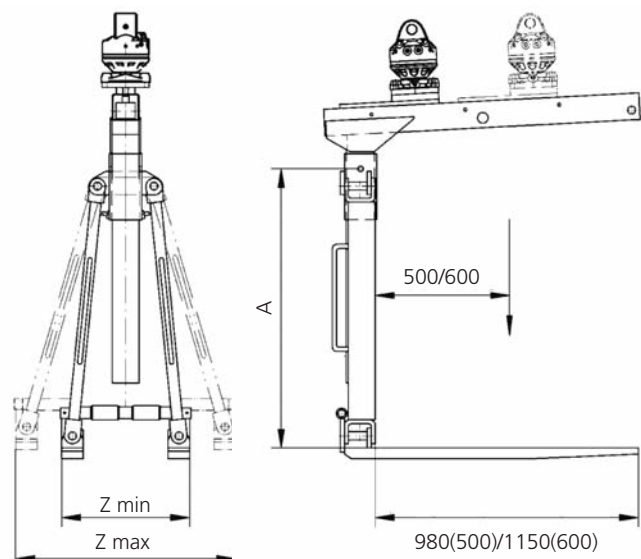
- Please note:**
- Extension of the effective height up to 3000 mm possible
 - A protection trellis or net is mandatory for loose material (EN 13155)

Accessories

Type	Description
PZR450GF	recommended flange rotator – load capacity 4500 kg
PZR450G-XX*	shaft rotator – load capacity 4500 kg
N00074	quick change system for shaft-type rotators
N00072-XX*	reduction link between rotator and grapple
N00071-XX*	non-rotating hook for shaft rotator

*) specify Ø shaft when ordering

Technical drawings



Requirements of truck crane

Operating pressure:
max. 26 MPa (260 bar)

Pump capacity:
20 to 40 l/min

Pallet Forks Self Balancing and Tines with Continuous Spindle Adjustment

The efficient pallet fork with spring loaded centre of gravity compensation can easily be adapted to different loads with adjustable plunge depth and adjustable tine spread.

- **Efficient handling** of many different kinds of loads in an economic, one-man operation is possible due to the automatic shifting of the fork to a preset position. Compression springs return the slide to initial position
- **Variable height** from 1000 mm to 1600 mm adjustable in three steps with a lock pin
- **Variable tine spread** from approx. 475 mm to 815 mm adjustable with a smooth running, stainless spindle
- **Easy to use** due to the dimensions of the pallet fork. As no part of the pallet fork is wider than a standard pallet, a second row can be loaded. In addition, the outer edge of the pallet fork tines meets the overall width of the fork and loads close to walls can be handled without problems



Pallet forks PZP-V

Type	Load capacity (kg)	Throat height A (mm)	Tine length (mm)	Tine spread Z (mm)	Tine dimensions* (mm)	Centre of gravity (mm)	Self weight (w/o rotator) (kg)
PZP150V	1500	1000 – 1600	980	475 – 815	80 x 35	500	120
PZP200V	2000	1000 – 1600	980	495 – 835	100 x 35	500	135
PZP250V	2500	1000 – 1600	980	490 – 830	100 x 50	500	160
PZP300V	3000	1000 – 1600	980	510 – 850	120 x 50	500	200
PZP150VL	1500	1000 – 1600	1150	495 – 835	100 x 35	600	155
PZP200VL	2000	1000 – 1600	1150	500 – 840	100 x 50	600	170
PZP250VL	2500	1000 – 1600	1150	510 – 850	120 x 50	600	235

*) width x height

Package consists of: pallet fork, protection chain PZP-SK, 2 chain elements for suspension

Please note:

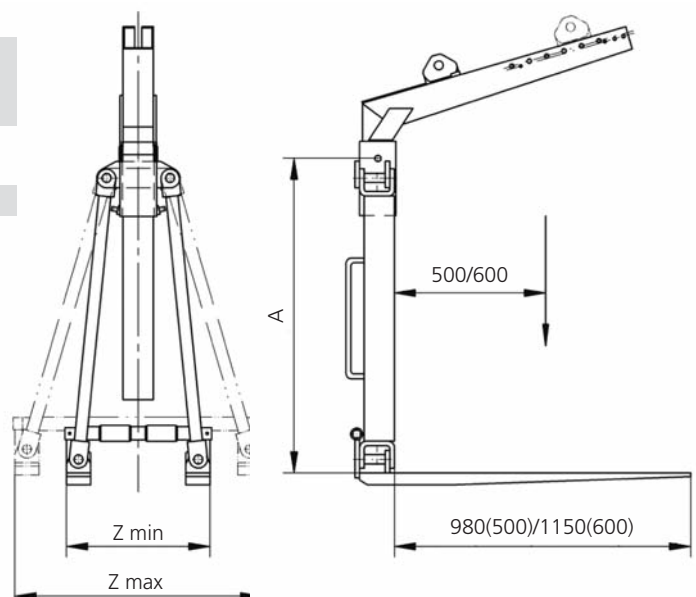
- Protection trellis or net is mandatory for handling of loose material (EN 13155)
- Automatic compensation of centre of gravity functions with a min. package weight of approx. 250 to 500 kg
- Extension of the effective height up to 3000 mm possible

Accessories

Type	Description
PZR450G-XX*	shaft rotator up to 4500 kg load capacity for precise positioning of the load
N00070	rigid suspension link with pin for shaft rotator
N00071-XX*	non-rotating hook for shaft rotator

*) specify Ø shaft when ordering

Technical drawings



Pallet Forks Self Shifting and Tines with Lock Pin Adjustment

The robust pallet fork with spring loaded centre of gravity compensation can easily be adapted to different loads with adjustable plunge depth and adjustable tine spread.

- **Efficient handling** of many different kinds of loads in an economic, one-man operation is possible due to the automatic shifting to a preset position. Compression springs return the slide to initial position
- **Throat height adjustable in steps** from 1000 mm to 1600 mm with a lock pin
- **Tine spread adjustable in steps** from 320 mm to 930 mm with a lock pin



Pallet forks PZP-VS

Type	Load capacity (kg)	Throat height A (mm)	Tine length (mm)	Tine spread Z (mm)	Tine dimensions* (mm)	Centre of gravity (mm)	Self weight (w/o rotator) (kg)
PZP100VS	1000	1000 – 1600	980	325 – 920	80 x 35	500	145
PZP125VS	1250	1400 – 2000	980	310 – 930	70 x 40	500	145
PZP150VS	1500	1000 – 1600	980	325 – 920	80 x 35	500	145
PZP200VS	2000	1000 – 1600	980	345 – 940	100 x 35	500	150
PZP250VS	2500	1000 – 1600	980	355 – 945	90 x 40	500	170
PZP300VS	3000	1000 – 1600	980	385 – 975	120 x 50	500	205
PZP125VSL	1250	1050 – 1650	1150	310 – 930	70 x 40	600	170
PZP150VSL	1500	1000 – 1600	1150	345 – 940	100 x 35	600	170
PZP200VSL	2000	1000 – 1600	1150	355 – 945	90 x 40	600	180
PZP250VSL	2500	1000 – 1600	1150	385 – 975	120 x 50	600	185
PZP300VSL	3000	1000 – 1600	1150	385 – 975	130 x 50	600	220

*) width x height

Package consists of: pallet fork, protection chain PZP-SK, 2 chain elements for suspension

Please note:

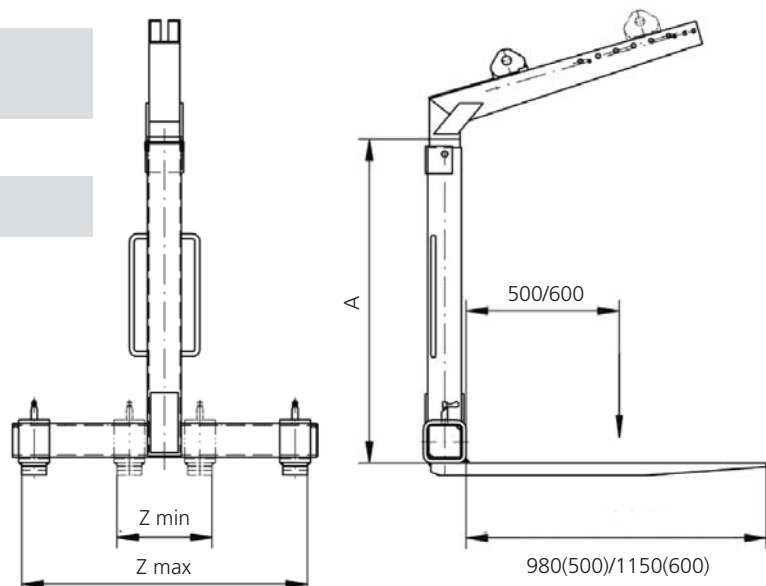
- Protection trellis or net is mandatory for handling of loose material (EN 13155)
- Automatic compensation of centre of gravity functions with a min. package weight of approx. 250 to 500 kg
- Extension of the effective height up to 3000 mm possible

Accessories

Type	Description
PZR450G-XX*	shaft rotator up to 4500 kg load capacity for precise positioning of the load
N00070	rigid suspension link with pin for shaft rotator
N00071-XX*	non-rotating hook for shaft rotator

*) specify Ø shaft when ordering

Technical drawings



Pallet Forks with Manual Shifting and Tines with Lock Pin Adjustment

The robust pallet fork with a manual centre of gravity compensation is because of its versatile useability an economic alternative.

- **Manual change of position of shifting collar** by the operator enables the handling of different loads, e.g. protection trellies or brick stacks
- **Connection plate** for flange rotator, shaft rotator or for a crane hook is included in the package
- **Throat height adjustable in steps** from 1000 mm to 1600 mm with a lock pin
- **Tine spread adjustable in steps** from 320 mm to 930 mm with a lock pin



Pallet forks PZP

Type	Load capacity (kg)	Throat height A (mm)	Tine length (mm)	Tine spread Z (mm)	Tine dimensions* (mm)	Centre of gravity (mm)	Self weight (w/o rotator) (kg)
PZP100	1000	1050 – 1650	980	310 – 930	70 x 35	500	80
PZP125	1250	1000 – 1600	980	325 – 920	80 x 35	500	100
PZP150	1500	1000 – 1600	980	325 – 920	80 x 35	500	120
PZP200	2000	1000 – 1600	980	345 – 940	100 x 35	500	130

*) width x height

Package consists of: pallet fork, protection chain PZP-SK

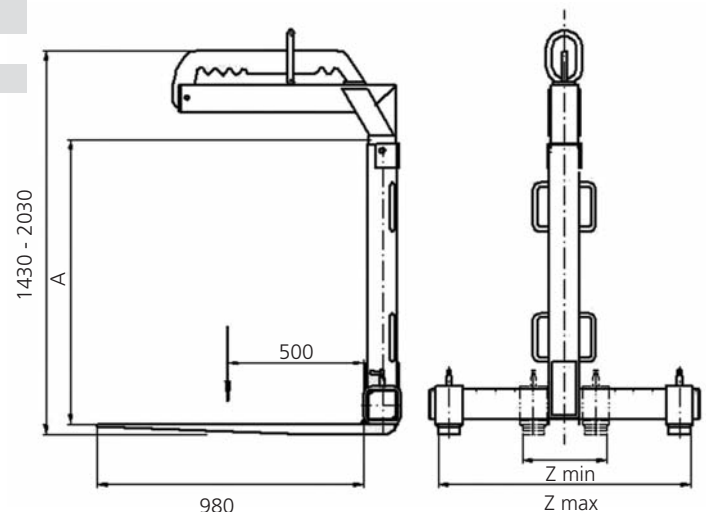
- Please note:**
- A protection trellis or net is mandatory for loose material (EN 13155)
 - Extension of the effective height up to 3000 mm

Accessories

Type	Description
PZR450G -XX*	shaft rotator up to 4500 kg load capacity for precise positioning of the load
N00070	rigid suspension link with pin for shaft rotator
N00071-XX*	non-rotating hook for shaft rotator

*) specify Ø shaft when ordering

Technical drawings



Pallet Forks with Manual Shifting and Tines with Lock Pin Adjustment

The robust pallet fork with manual centre of gravity compensation is an economic alternative because of its versatile uses.

- **Manual change of position of shifting collar** by the operator enables handling of different loads, e.g. protection trellies or brick stacks
- **Connection plate** for flange rotator, shaft rotator or for a crane hook is included in the package
- **Throat height adjustable in steps** from 1000 mm to 1600 mm with a lock pin
- **Tine spread adjustable in steps** from 320 mm to 930 mm with a lock pin



Pallet forks PZP-M

Type	Load capacity (kg)	Throat height A (mm)	Tine length (mm)	Tine spread Z (mm)	Tine dimensions* (mm)	Centre of gravity (mm)	Self weight (w/o rotator) (kg)
PZP125M	1250	1000 – 1600	980	325 – 920	80 x 35	500	100
PZP150M	1500	1000 – 1600	980	325 – 920	80 x 35	500	120
PZP200M	2000	1000 – 1600	980	345 – 940	100 x 35	500	130
PZP250M	2500	1000 – 1600	980	355 – 945	90 x 40	500	170
PZP300M	3000	1000 – 1600	980	385 – 975	120 x 50	500	200
PZP150ML	1500	1000 – 1600	1150	345 – 940	100 x 35	600	150
PZP200ML	2000	1000 – 1600	1150	355 – 945	90 x 40	600	180
PZP250ML	2500	1000 – 1600	1150	385 – 975	120 x 50	600	235
PZP300ML	3000	1000 – 1600	1150	385 – 975	130 x 50	600	265

* width x height

Package consists of: pallet fork, protection chain PZP-SK

Please note:

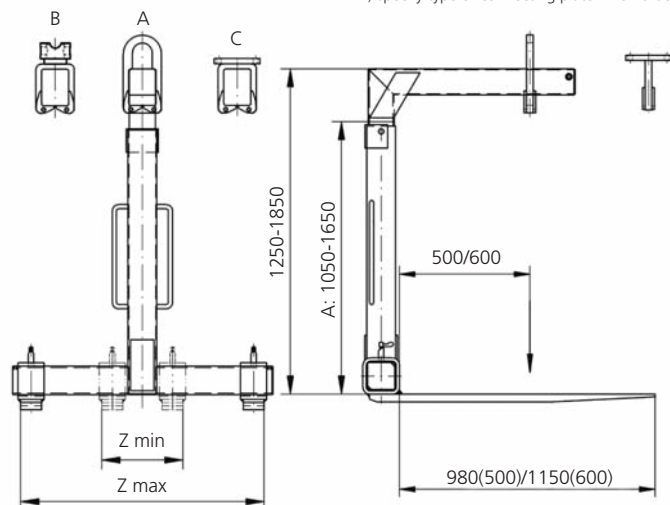
- A protection trellis or net is mandatory for loose material (EN 13155)
- Extension of the effective height up to 3000 mm possible

Accessories

Type	Description
PZR450GF	flange rotator - load capacity 4500 kg for precise positioning of the load
PZR450G-XX*	shaft rotator - load capacity 4500 kg for precise positioning of the load
N00074	quick change system for shaft-type rotators
N00072-XX*	reduction link between rotator and grapple
N00070	rigid suspension link with pin for shaft rotator
N00071-XX*	non-rotating hook for shaft rotator

*) specify Ø shaft when ordering

Technical drawings



Connecting plate for:

- A*** crane hook
- B*** shaft rotator
- C*** flange rotator

*) specify type of connecting plate when ordering

The universal fork for loader cranes handles wallboards and other lying delivered building materials up to a size of 1250 mm height and 460 mm depth.

- **Different tine spreads**, besides the standard tine spread of 640-1600 mm are available up to 1000, 1830 or 2130 mm, depending on the sheets that have to be handled
- **Safe transport** of sheets of wallboard in the hinged lower section. The boards can be lifted and folded into a vertical position and clamped between the tines and frame, preventing them from sliding during handling
- **Protection of the sheets** during unloading through semi-tapered forged tines, equipped with rollers and pads. A standard centre slide gives an additional support point for the loads
- **Security** is assured even in case of a drop in pressure due to the integrated counterbalance valve that prevents the fork from opening unintentionally. The hydraulic cylinder is equipped with a pressure relief valve to prevent overload
- **Accurate positioning** of the load is ensured by the tilt cylinder and the rotator
- **The special version of the universal fork PZP150WA** with a second suspension point on the main beam enables the unloading of lying boards through narrow openings in the wall



Package universal fork PZP-WP

Type	Load capacity (kg)	Tine spread A (mm)	Height of load max. (mm)	Depth of load max. (mm)	Self weight (kg)
PZP150WP*	1500	640 – 1600	1250	460	400
PZP200WP*	2000	640 – 1600	1250	460	410

*) specify tine spread when ordering

Package consists of: universal fork, rotator PZR450G-68, connecting hoses BL462, BL463, upper suspension UL045, quick change system N00074, rigid hook N00075, pressure relief valve, counterbalance valve

Universal forks PZP-W

PZP080W	800	600 – 1000	1250	460	280
PZP100W	1000	640 – 1600	1250	460	340
PZP150W	1500	640 – 1600	1250	460	380
PZP200W	2000	640 – 1600	1250	460	390
PZP250W	2500	640 – 1600	1250	460	400
PZP150WA	1500	640 – 1600	1250	460	390

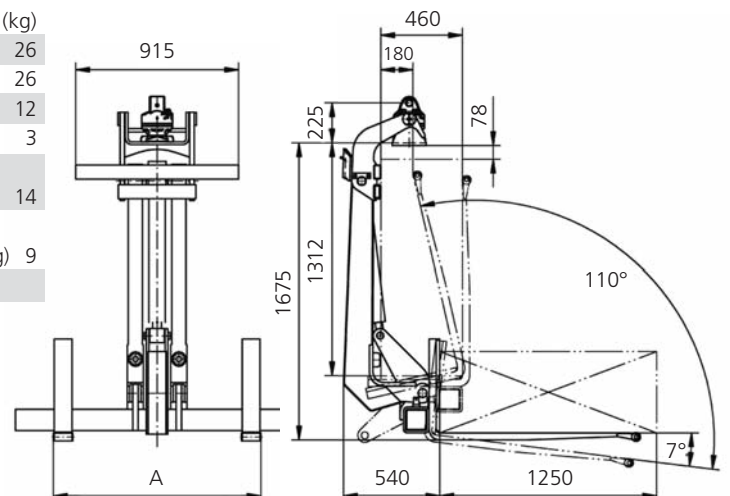
- Please note:**
- The universal fork PZP080W is delivered with an integrated rack and an upper suspension for a shaft rotator
 - PZP150WA: delivered with a second suspension point on the main beam

Accessories

Type	Description	Self weight (kg)
PZR450GF	recommended flange rotator - load capacity 4500 kg	26
PZR450G-XX*	shaft rotator - load capacity 4500 kg	26
N00074	quick change system for shaft-type rotators	12
N00072-XX*	reduction link between rotator and grapple	3
PZP001	adjustable clamping device to secure single sheets of smaller packs	14
PZP002	rack for safe and easy handling of folded universal fork (for load capacity over 1000 kg)	9
N00414	intermediary between PZP-W and N00074	

*) specify Ø shaft when ordering

Technical drawings



Requirements of truck crane

Operating pressure: 20 to 32 MPa (200 – 320 bar)

Pump capacity: 40 to 75 l/min