

PK 13.501K SLD 3 | PK 14.501K SLD 5

**MORE PAYLOAD
THANKS TO
INTELLIGENT LIGHT-
WEIGHT DESIGN**

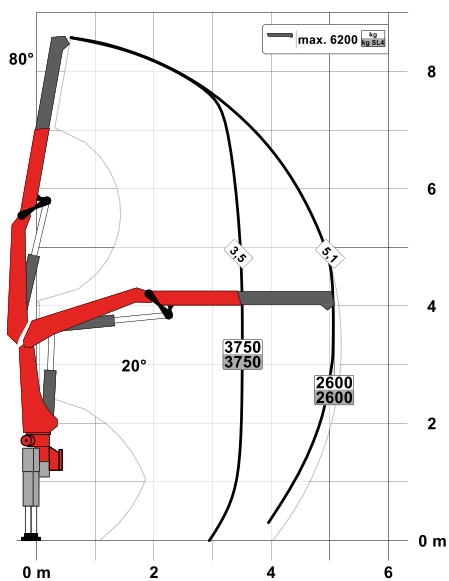
LIFETIME EXCELLENCE



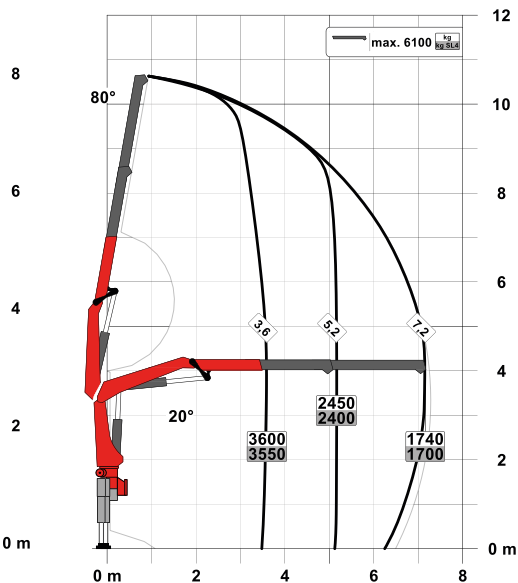
PERFECT DIMENSIONS

PK 13.501K SLD 3

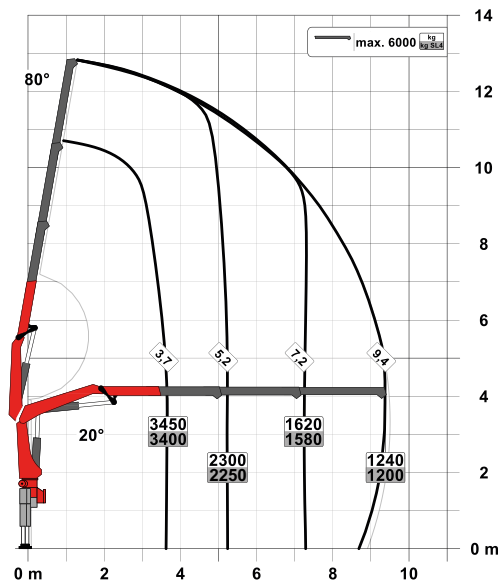
STD



A

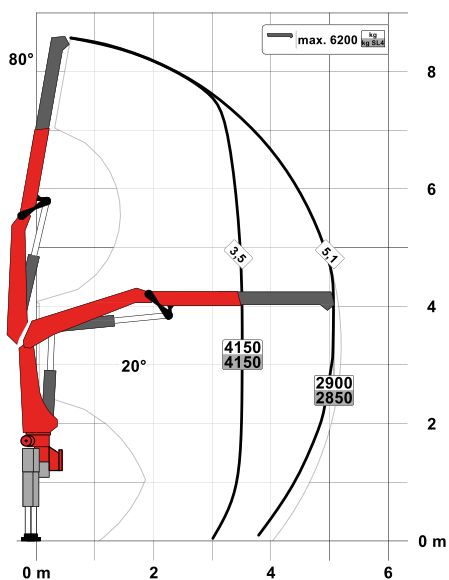


B

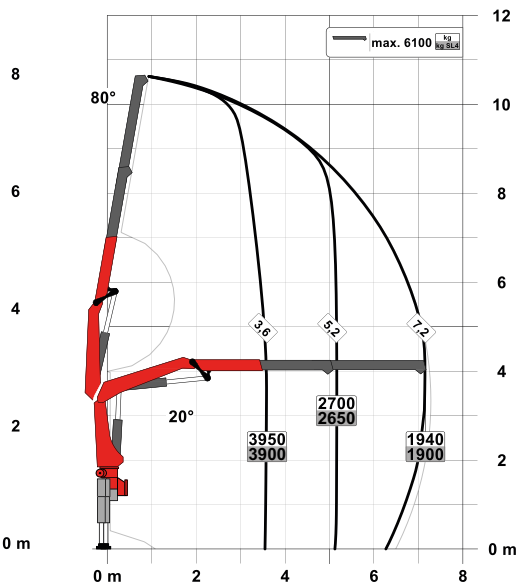


PK 14.501K SLD 5

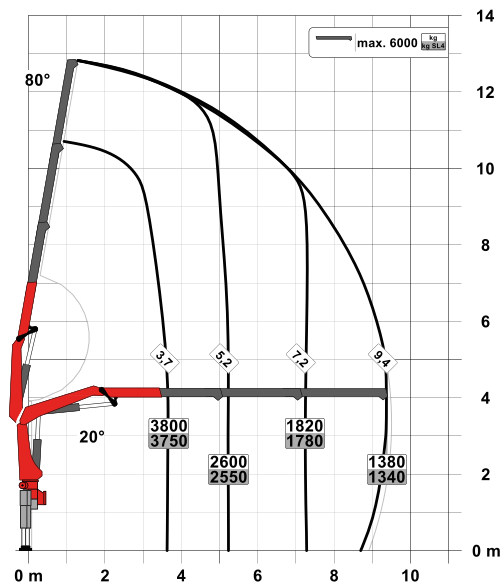
STD



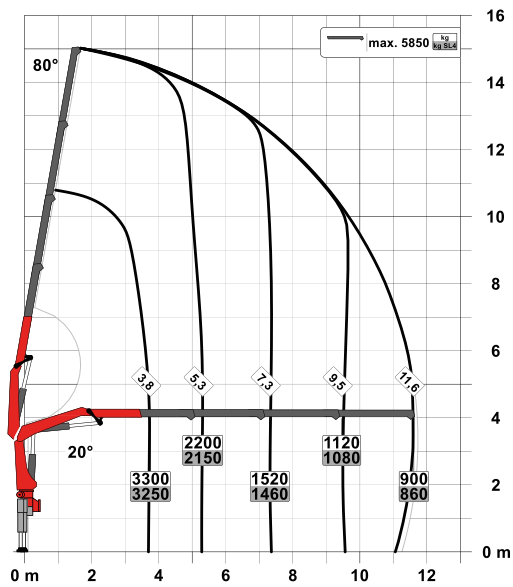
A



B



C



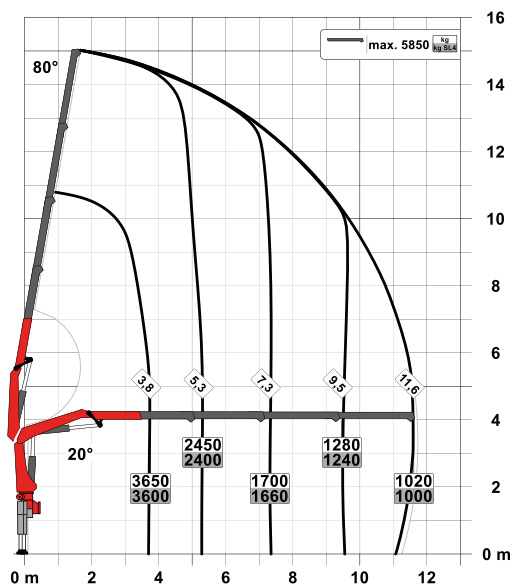
SLD 3

- Single Link Plus
- Paltronic overload protection
- Stability monitoring system ISC-S
- Optional:
 - Stability monitoring system HPSC-L, HPSC-E
 - Radio remote control
- CE model

Tech. specifications (EN 12999 HC1 HD4/S2)

Max. lifting moment	13.2 mt/129.8 kNm	95,700 ft.lb
Max. lifting capacity	6200 kg/60.8 kN	13,700 lb
Max. hydraulic outreach	11.7 m	38' 5"
Slewing angle	420°	
Slewing torque	1.6 mt/15.7 kNm	11,580 ft.lb
Stabiliser spread (std./max.)	5.0 m/6.6 m	16' 5" / 21' 8"
Fitting space required (std.)	0.74 m	2' 5"
Width folded	2.55 m	8' 4"
Max. operating pressure	330 bar	4,785 psi
Recommended pump capacity	from 35 l/min to 50 l/min	9.2 US gpm 13.2 US gpm
Dead weight (std.)	1480 kg	3,260 lb

C



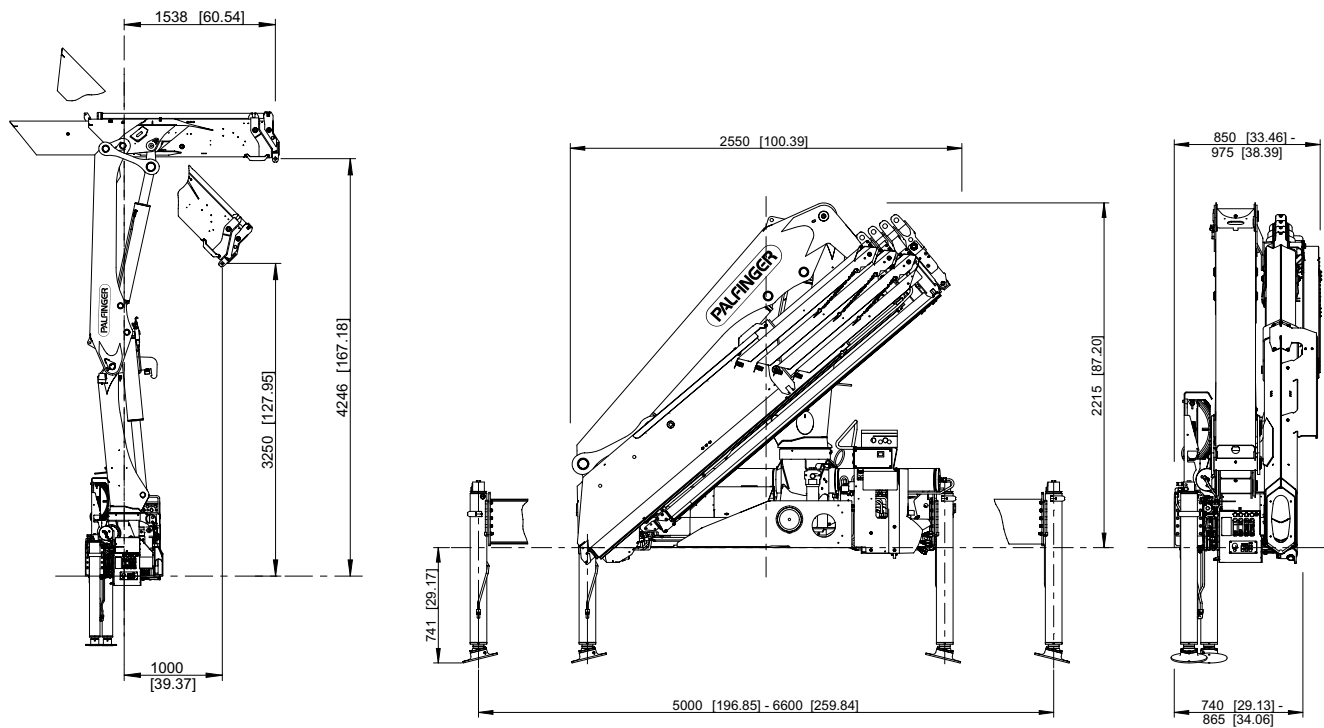
SLD 5

- Single Link Plus
- Paltronic overload protection
- E-HPLS
- Load Sensing valve
- Radio remote control with LED display
- Stability monitoring system ISC-S
- Optional:
 - Stability monitoring system HPSC-L, HPSC-E
- CE model

Tech. specifications (EN 12999 HC1 HD4/S2)

Max. lifting moment	14.6 mt/143.3 kNm	105,650 ft.lb
Max. lifting capacity	6200 kg/60.8 kN	13,700 lb
Max. hydraulic outreach	11.7 m	38' 5"
Slewing angle	420°	
Slewing torque	1.6 mt/15.7 kNm	11,580 ft.lb
Stabiliser spread (std./max.)	5.0 m/6.6 m	16' 5" / 21' 8"
Fitting space required (std.)	0.74 m	2' 5"
Width folded	2.55 m	8' 4"
Max. operating pressure	360 bar	5,220 psi
Recommended pump capacity	from 50 l/min to 70 l/min	13.2 US gpm 18.5 US gpm
Dead weight (std.)	1510 kg	3,330 lb

DIMENSIONS



KP-PK13/14KSLDL1+EN

Cranes shown in the leaflet are partially optional equipped and do not always correspond to the standard version. Country-specific regulations must be observed. Dimensions may vary. Subject to technical changes, errors and translation mistakes.